



DESCRIPTION

The cooler consists of a stainless steel coil, through which the sample flows, and a stainless steel body, through which cooling water flows in the opposite direction.

FEATURES

- Compact design with double helicoidal coil
- Very close approach temperatures in sample with the cooling water entry.
- Coil in one piece to ensure low maintenance (no joints).
- Easy maintenance: Coils can be cleaned in-place.
- Others material, please consult.

SPECIFICATIONS

Model:	SC-2-B-10-K	SC-2-B-10-L
Colling area:	0,22 m ² (2,4 ft ²)	
Tube material / size:	316SS 1/4"OD x 0,049"	
Tube rating:	245bar(g)[3553 psi(g)] @ 540°C (1004 °F)	
Shell material	304 SS	316 SS
Shell rating:	30 bar (435 psi) @ 200°C (392°F)	
Weight:	7 Kg (15,4 lb)	
Optimal flow service:		
Single fase:	1800 cc/min	
Condensing heat transfer:	1100 cc/min	

**All coolers are supplied with bracket in SS304*

**These references correspond to standard references, usually in stock. For other combinations, please consult.*

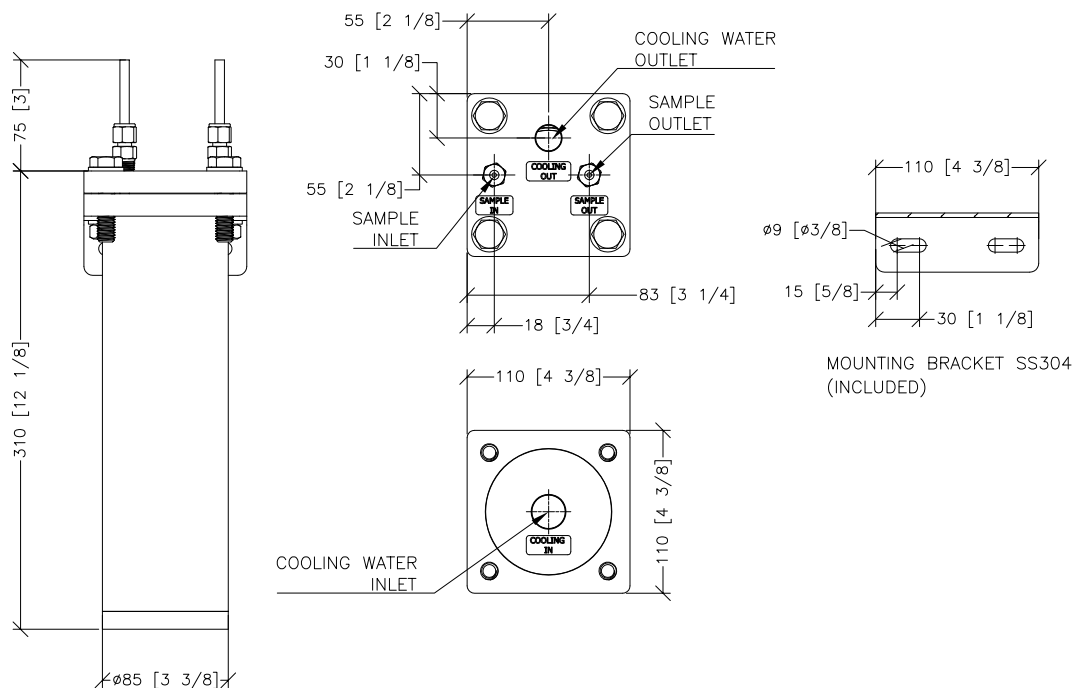
CONNECTIONS

Name	Size & Type
Sample Inlet	1/4" OD Tube
Sample Outlet	1/4" OD Tube
Cooling water inlet	3/4" NPT(f)
Cooling water outlet	1/2" NPT(f)

SPARE PARTS

Name	Part#
Cover "O" ring for SC-1 / SC-2	CL20

DIMENSIONS



Units: mm [Inches in brackets]

Due to continuous improvements, Manvia reserves the right to change the design and specifications without notice